

Special Troops Battalion,  
3rd Brigade Combat Team,  
82nd Airborne Division,

A-4-222

Beret Flash



Description/Blazon

A blue shield-shaped embroidered device with a semi-circular base 2 1/4 inches (5.72 cm) in height by 1 7/8 inches (4.76 cm) in width overall, edged with a 1/8 inch (.32 cm) red border divided diagonally from upper right to lower left by a 1/2 inch (.1.27 cm) teal blue stripe. The beret flash was approved on 24 February 2006. It was amended to correct the unit designation on 20 March 2006. A-4-222

Background Trimming

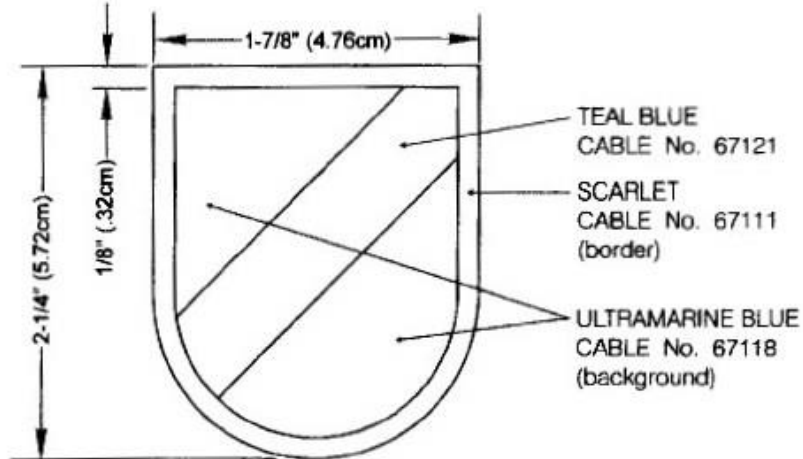


Description/Blazon

A blue oval shaped embroidered device 1 3/8 inches (3.49 cm) in height by 2 1/4 inches (5.72 cm) in width overall, edged with a 1/8 inch (.32 cm) red border divided diagonally from upper right to lower left by a 1/2 inch (1.27 cm) teal blue stripe. The background trimming was approved on 24 February 2006. It was amended to correct the unit designation on 20 March 2006.

**REVISIONS**

LTR	DESCRIPTION	DATE	APPROVED
-----	-------------	------	----------



**DESIGNED FOR OVEREDGE STITCHING**

**FORMERLY: 3D BRIGADE, 82D AIRBORNE DIVISION  
SUPERSEDES T.I.O.H. DWG. No. A-4-222 DTD 16 FEBRUARY 2006**

UNLESS OTHERWISE SPECIFIED DIMENSIONS ARE IN INCHES TOLERANCES ON FRACTIONS DECIMALS ANGLES

MATERIALS:  
TO BE MANUFACTURED IN ACCORDANCE WITH MIL-DTL-14652

EXAMINED	<i>[Signature]</i>
CHECKED	<i>[Signature]</i>
PREPARED	CLH
APPROVED	<i>[Signature]</i> CHARLES V. MUGNO DIRECTOR

**THE INSTITUTE OF HERALDRY, U.S. ARMY**  
9325 GUNSTON RD. S-112 FORT BELVOIR, VA 22060-5579

BERET FLASH FOR  
**SPECIAL TROOPS BATTALION,**  
**3D BDE. COMBAT TEAM, 82D AIRBORNE DIV.**

SIZE	CONTROL IDENT. NO	
<b>A</b>	<b>22571</b>	<b>A-4-222</b>
SCALE	FULL	DATE <b>05 MARCH 2006</b>